



MODEL G8988 SAFETY PADDLE SWITCH INSTRUCTIONS

For questions or help with this product contact Tech Support at (570) 546-9663 or techsupport@grizzly.com

!WARNING

To reduce risk of serious burns, electrocution or death when installing this switch:

- Only use this switch to replace an existing machine switch that has the same physical configuration and equivalent electrical specifications/ratings.
- Installation must only be performed by an electrician or qualified service personnel, and all applicable electrical codes must be adhered to.
- Turn off and completely disconnect all power sources to the machine before installing the switch.
- Do not use this switch in wet or damp locations, or near explosive fumes or flammable liquids. It is not sealed or rated for these environments.
- Make sure there is a verified machine ground on the circuit this switch is installed.

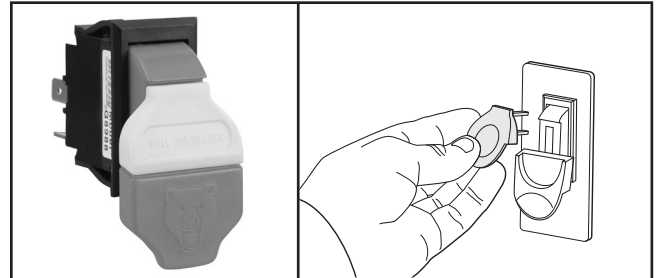


Figure 1. G8988 safety paddle switch.

Introduction

The Model G8988 features a large ON/OFF paddle with a removable safety key that can be used to disable the switch. This switch is designed to fit a $\frac{7}{8}$ " x $1\frac{5}{8}$ " rectangular hole.

Specifications

Rated Voltage.....	125V/250V
Rated Current at 125V.....	16A
Rated Current at 250V.....	10A

COPYRIGHT © APRIL, 2011 BY GRIZZLY INDUSTRIAL, INC.
WARNING: NO PORTION OF THIS INSTRUCTION SHEET MAY BE REPRODUCED IN ANY SHAPE
OR FORM WITHOUT THE WRITTEN APPROVAL OF GRIZZLY INDUSTRIAL, INC.


#TS13929 PRINTED IN CHINA

Installation

When installing the G8988 switch, use the wiring diagram in **Figure 2** to ensure proper wire connections.

! WARNING

This switch is intended to be connected to stranded wire with insulated quick-disconnect crimp-type female wire terminals having a 1/4" tab.



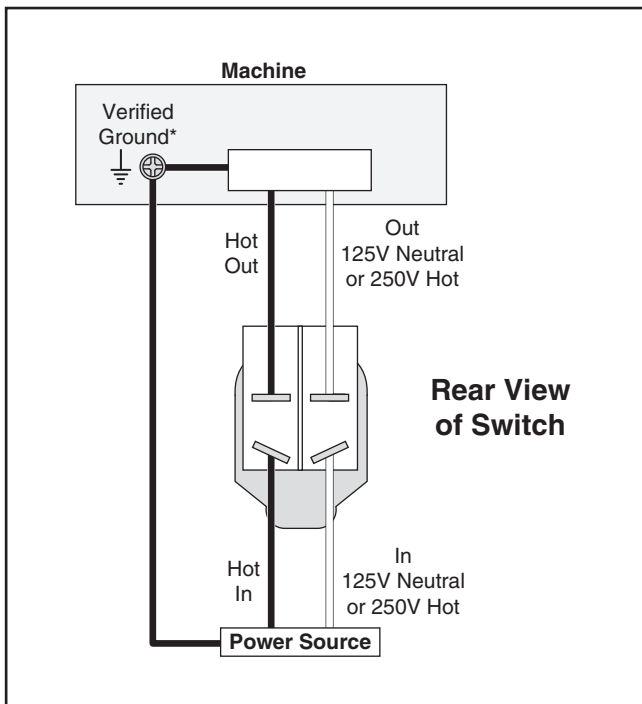
All crimps must be "pull-checked" to ensure that wires are securely crimped and will not fall out with moderate tension or when exposed to normal machine vibration.

Operation

To turn the switch **ON**, make sure the safety key is properly inserted, then flip the switch up.

To turn the switch **OFF**, flip the paddle down.

To disable the switch, turn the switch **OFF**, then pull the yellow key from the switch and store it in a well hidden or secure location.



*The machine **MUST** be connected to a verified ground. In the event of certain malfunctions or breakdowns, grounding reduces the risk of electric shock by providing a path of least resistance for electric current.

